

# 8280-IGW



# 8280-IGW

## Item Description

15 Amp, 125 Volt, 20A feed through, NEMA 5-15R, 2P, 3W, Decora Plus Duplex Receptacle, Straight Blade, Hospital Grade, Isolated Ground, Surge w/ Indicator Light & Audible Alarm, Back & Side Wired, Steel Strap, - White



UPC Code: 07847700897

Country Of Origin: Mexico

*\*Eligible for ARRA funded projects > \$7,443,000*

NEMA:  
5-15R



## Technical Information

#### AC Horsepower Ratings

**At Rated Voltage:** 1/2 HP

#### Electrical Specifications

**Dielectric Voltage:** Withstands 2000V per UL498

**Temperature Rise:** Max 30C after 250 cycles OL at 200 percent rated current

**Current Limiting:** Full Rated Current

#### Environmental Specifications

**Operating Temperature:** -40C to 60C

**Flammability:** Rated V-2 per UL94

#### Material Specifications

**Face Material:** Nylon

**Body Material:** Nylon

**Terminal Screws:** Brass 10-32

**Line Contacts:** Brass Triple-Wipe

**Yoke:** Zinc-Plated Steel

**Grounding Screw:** Brass 8-32

**Clamp Nuts:** Zinc-Plated Steel

#### Mechanical Specifications

**Product ID:** Ratings are permanently marked on device

**Terminal ID:** Brass-Hot, Green-Ground, White-Neutral

**Terminal Accom.:** 14-10 AWG

#### Performance Data

**Noise Rejection:** -30dB at 500kHz-30MHz

**Max Surge Current L-N:** 24kA

**Joules Rating:** 720

**Diagnostics:** Indicator Light & Audible Alarm

**UL1449 Impulse 6kV/500A L-N:** 400V

**MCOV:** 150V rms

**VPR:** L-N:600V, L-G:700V, N-G:600V

**Short Circuit Current Rating:** 5kA

#### Product Features

**Strap Material:** Steel

**Grounding:** Isolated Ground

**Face Material:** Nylon

**Warranty:** 10 Year Limited

**Joules Rating:** 720

**Diagnostics:** Indicator Light & Audible Alarm

**Color:** White

**UL1449 Impulse 6kV/500A L-N:** 400V

**Termination:** Back & Side

**Wire:** 3

**Feature:** Surge

**NEMA:** 5-15R

**Noise Rejection:** -30dB at 500kHz-30MHz

**Max Surge Current L-N:** 24kA

**Body Material:** Nylon

**Voltage:** 125 Volt

**Amperage:** 15 Amp

**Standards and Certifications:** UL/CSA

**Pole:** 2

#### Standards and Certifications

**UL498HG:** File E13399

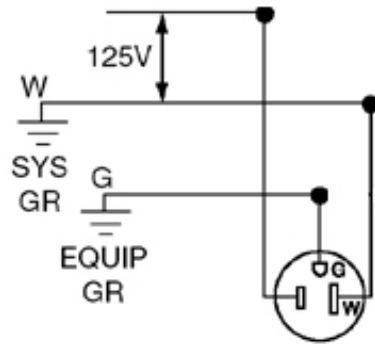
**CSA C22.2 No. 42:** File 152105

**ANSI:** C-73

**NOM:** 057

**NEMA:** WD-6

### Wiring Diagram



5-15R

### SPECIFICATION SUBMITTAL

JOB NAME: <input type="text"/>	CATALOG NUMBERS: <input type="text"/>	
JOB NUMBER: <input type="text"/>	<input type="text"/>	<input type="text"/>

#### Leviton Manufacturing Co., Inc.

201 North Service Road, Melville, NY 11747

Teléfono: +1-800-323-8920 · FAX: +1-800-832-9538 · Tech Line (8:30AM-7:30PM E.S.T. Monday-Friday): +1-800-824-3005

#### Leviton Manufacturing of Canada, Ltd.

165 Hymus Boulevard, Pointe Claire, Quebec H9R 1E9 · Telephone: +1-800-469-7890 ·

FAX: +1-800-824-3005 · [www.leviton.com/canada](http://www.leviton.com/canada)

#### Leviton S. de R.L. de C.V.

Lago Tana 43, Mexico DF, Mexico CP 11290 · Tel.: (+52)55-5082-1040 · FAX: (+52)5386-

1797 · [www.leviton.com.mx](http://www.leviton.com.mx)

#### Visit our Website at: [www.leviton.com](http://www.leviton.com)

© 2012 Leviton Manufacturing Co., Inc. Todos los derechos reservados. Subject to change without notice.

#### Leviton has a global presence.

If you would like to know where your local Leviton office is located please go to:

[www.leviton.com/international/contacts/](http://www.leviton.com/international/contacts/)



*\*Leviton is the smart choice, providing the most comprehensive range of solutions to meet the needs of today's residential, commercial and industrial buildings. Leveraging more than a century of experience, Leviton helps customers create sustainable, intelligent environments through its electrical wiring devices, network and data center connectivity solutions, and lighting energy management systems. From switches and receptacles, to daylight harvesting controls, networking systems, and equipment for charging electric vehicles, Leviton solutions help customers achieve savings in energy, time and cost, all while enhancing safety.*