

## 5193 Series

### V-PLEX® ADDRESSABLE SMOKE DETECTOR



Honeywell's V-Plex Addressable Photoelectric Smoke Detectors are designed to provide open area protection and to be used with compatible UL or ULC-listed Honeywell control panels that support V-Plex technology. The detectors incorporate a state-of-the-art optical sensing chamber and an advanced microprocessor. Built-in Drift Compensation algorithms automatically maintain proper operation at factory calibrated detection levels, even when sensitivity is altered due to the presence of contaminants settling into the unit's chamber. The 5193SDT/A also features a restorable, built-in, fixed temperature (135°F/57.2°C) thermal detector.

## FEATURES

- **Easy Installation:** Installation is simplified by the use of a mounting base that may be pre-wired to the system, allowing the detector to be easily installed or removed for maintenance or service. (See Figure 1).
- **LED Status Indicators:** Two LEDs (green and red) provide local visual indication of the detector's status – including normal operation, alarm, out of sensitivity and trouble conditions.
- **Test button:** This button allows the user to perform periodic testing of the detector's circuitry and verify that the detector is within the sensitivity limits.
- **Versatile Mounting:** Mounting is made simple with the included hardware and the large mounting ports, which accommodate drywall anchors for easy surface mounting. (See Figure 1).
- **Tamper Protection and Tamper Resistance:** The detector contains a built-in tamper switch that can communicate back to the control panel in the event the detector is removed from its base. For an added level of security, the detector also includes a tamper resistant element that prevents removal from the base without the use of tools. (See Figure 1).

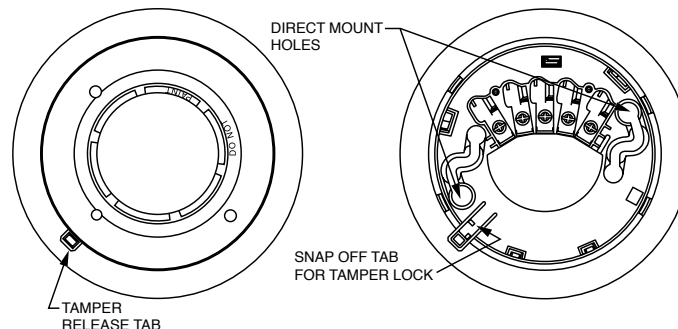


Figure 1: Tamper-Resistant Feature/Wiring

# 5193 Series

## V-PLEX® ADDRESSABLE SMOKE DETECTOR

### SPECIFICATIONS

- **Heat Sensor:** (Model 5193SDT/A):  
135°F (57.2°C);  
Fixed Temperature Electronic Thermistors
- **Operating Ambient Temperature Range:**  
32° to 100°F (0° to 38°C)
- **Operating Humidity Range:**  
0 to 95% RH non-condensing
- **Storage Temperature Range:**  
-4° to 158°F (-20° to 70°C)
- **Diameter (including base):** 5.3 inches (13.46 cm)
- **Height (including base):** 2.0 inches (5.08 cm)
- **Weight:** 6.3 oz. (178.6 g)
- **Agency Listing:** UL 268; CAN/ULC S531
- **System Voltage Range:** 7-14V
- **Standby Current** (maximum @ 12V)  
LED off: 1.2mA  
LED on: 2.8mA

### ACCESSORY (sold separately)

To measure the detector's sensitivity, the SENS-RDR Infrared Sensitivity Reader tool (sold separately) should be used. It reduces testing time, simplifies sensitivity measurements and displays them precisely in terms of percent per foot obscuration. The SENS-RDR eliminates the need for magnets, voltmeters and ladders.

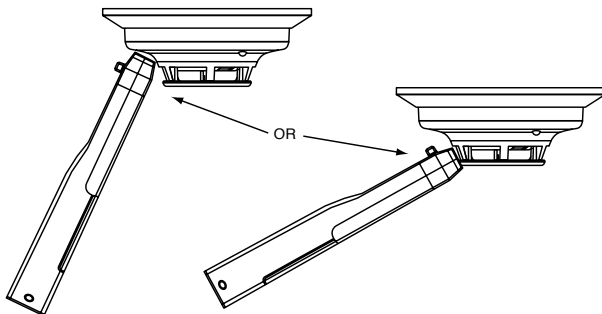


Figure 2: Position of Reader



### ORDERING

- |                 |  |
|-----------------|--|
| <b>5193SD</b>   | Addressable Photoelectric Smoke Detector   |
| <b>5193SDT</b>  | Addressable Photoelectric Smoke Detector with Integral Heat Sensor               |
| <b>5193SDTA</b> | Addressable Photoelectric Smoke Detector with Integral Heat Sensor (Canada Only) |

#### Accessory sold separately:

- |                 |                             |
|-----------------|-----------------------------|
| <b>SENS-RDR</b> | Handheld Sensitivity Reader |
|-----------------|-----------------------------|

**Automation and Control Solutions**  
Honeywell Security Products Americas  
2 Corporate Center Dr. Suite 100  
P.O. Box 9040  
Melville, NY 11747  
1.800.467.5875  
www.honeywell.com

L/5193SDT/D  
June 2015  
© 2015 Honeywell International Inc.

**Honeywell**