

## 25249-SBA



**UPC Code:** 07847730718

**Country Of Origin:** Mexico

*\*Eligible for ARRA funded projects > \$7,443,000*

**NEMA:**  
5-15R



## 25249-SBA

### Brand Features

For low profile, in-floor receptacle installations, our Floor Box Receptacle Assemblies are the perfect fit. Available in both 15 & 20 Amp 1- and 2-gang configurations, these devices are suitable for wood frame construction with carpet, wood, tile, and vinyl finished flooring. Common applications include a variety of uses from home office workstations to high-end stages and entertainment venues.

### Item Description

1-Gang Floor Box Receptacle Assembly, Includes Brass with Brushed Nickel Finish Floor Plate, Gasket, Screw Cap, O-ring, and Switch Box. NOTE: O-Ring Should be Assembled On Cap. Receptacle 15A-125V, 2-Pole, 3-Wire, Grounding, NEMA 5-15R. NICKEL

### Technical Information

#### AC Horsepower Ratings

**At Rated Voltage:** 1/2 HP

#### Electrical Specifications

**Dielectric Voltage:** Withstands 2000V per UL498

**Grounding:** Self Grounding

**Temperature Rise:** Max 30C after 50 cycles OL at 150 percent rated current

**Voltage:** 125 Volt

**Amperage:** 15 Amp

**Current Limiting:** Full Rated Current

**Wire:** 3

**Pole:** 2

#### Environmental Specifications

**Operating Temperature:** -40C to 60C

**Flammability:** Rated V-2 per UL94

#### Material Specifications

**Strap Material:** Zinc-Plated Steel

**Face Material:** Nylon

**Body Material:** Nylon

**Ground Clips:** Brass-Plated

**Terminal Screws:** Brass 10-32

**Color:** Ivory/Brushed Nickel Finish

**Line Contacts:** Brass Triple-Wipe .031 Thick

**Grounding Screw:** Brass 8-32

**Clamp Nuts:** Zinc-Plated Steel

**Floorplate Material:** Solid Brass 0.060 In Thick

#### Mechanical Specifications

**Product ID:** Ratings are permanently marked on device

**Terminal ID:** Brass-Hot, Green-Ground, Silver-Neutral

**Termination:** Back & Side

**Terminal Accom.:** 14-10 AWG

#### Product Features

**Grounding:** Self Grounding

**Color:** Ivory/Brushed Nickel Finish

**NEMA:** 5-15R

#### Standards and Certifications

**Warranty:** 10 Year Limited

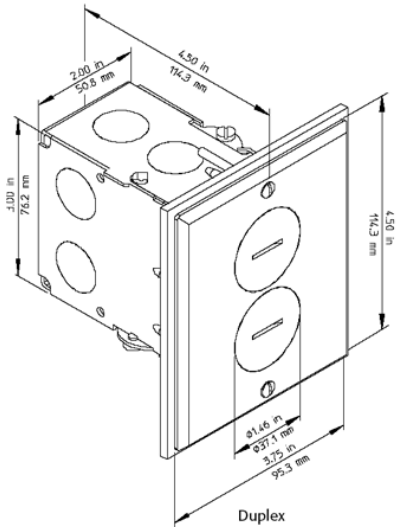
**CSA C22.2 No. 42:** File E152105

**ANSI:** C-73

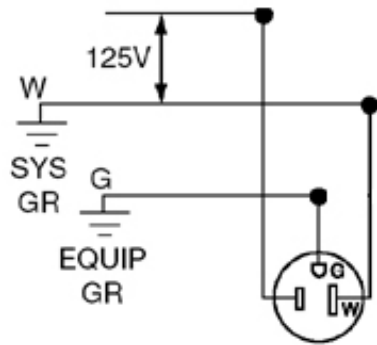
**UL498:** File E13399

**NOM:** 057

**NEMA:** WD-6



**Wiring Diagram**



5-15R

**SPECIFICATION SUBMITTAL**

JOB NAME:	CATALOG NUMBERS:	
<input type="text"/>	<input type="text"/>	<input type="text"/>
JOB NUMBER:	<input type="text"/>	<input type="text"/>

**Leviton Manufacturing Co., Inc.**

201 North Service Road, Melville, NY 11747

Teléfono: +1-800-323-8920 · FAX: +1-800-832-9538 · Tech Line (8:30AM-7:30PM E.S.T. Monday-Friday): +1-800-824-3005

**Leviton Manufacturing of Canada, Ltd.**

165 Hymus Boulevard, Pointe Claire, Quebec H9R 1E9 · Telephone: +1-800-469-7890 ·

FAX: +1-800-824-3005 · www.leviton.com/canada

**Leviton S. de R.L. de C.V.**

Lago Tana 43, Mexico DF, Mexico CP 11290 · Tel.: (+52)55-5082-1040 · FAX: (+52)5386-

1797 · www.leviton.com.mx

Visit our Website at: [www.leviton.com](http://www.leviton.com)

© 2012 Leviton Manufacturing Co., Inc. Todos los derechos reservados. Subject to change without notice.

**Leviton has a global presence.**

If you would like to know where your local Leviton office is located please go to:

[www.leviton.com/international/contacts/](http://www.leviton.com/international/contacts/)



*\*Leviton is the smart choice, providing the most comprehensive range of solutions to meet the needs of today's residential, commercial and industrial buildings. Leveraging more than a century of experience, Leviton helps customers create sustainable, intelligent environments through its electrical wiring devices, network and data center connectivity solutions, and lighting energy management systems. From switches and receptacles, to daylight harvesting controls, networking systems, and equipment for charging electric vehicles, Leviton solutions help customers achieve savings in energy, time and cost, all while enhancing safety.*