

# PANDUIT Cable Management Solutions

## Standard vs. High Density

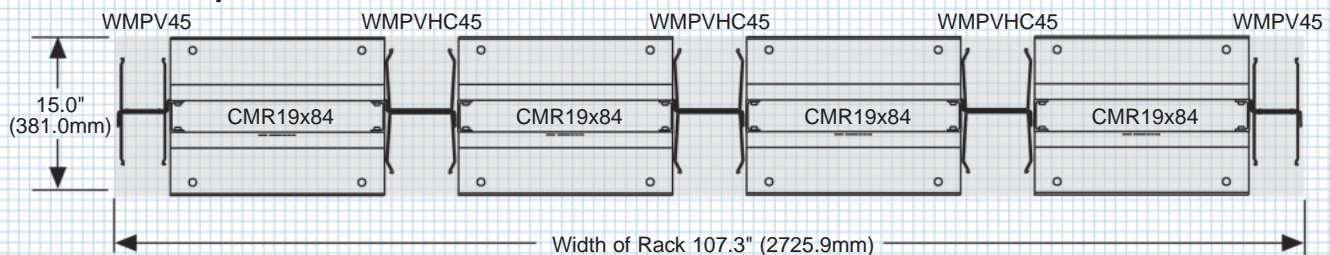
To illustrate the type of savings that can be achieved, in a 960 port application, a comparison of a standard vs. high density cable management solution demonstrates a more efficient use of space and the cost savings realized.

### Reduce System Layout Width by 36%

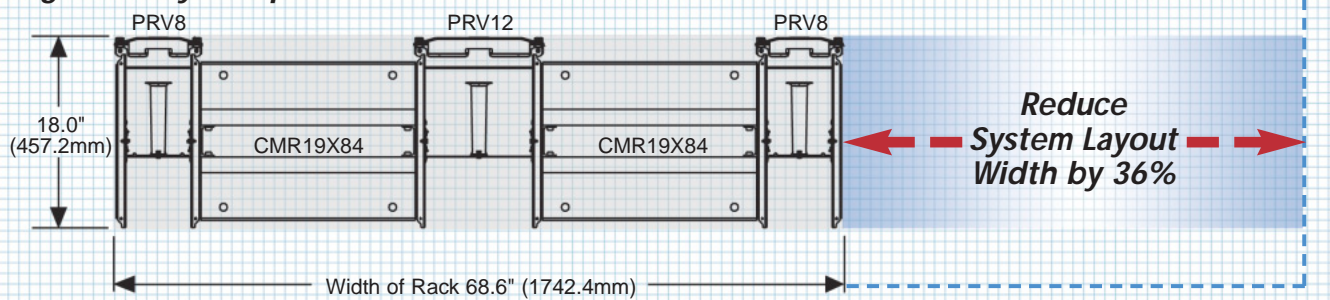
Standard Layout	Qty.	Width	
		In.	mm
CMR19X84 standard EIA channel racks	4	20.31	515.8
WMPV45 vertical managers	2	4.24	107.7
WMPVHC45 vertical managers	3	5.87	149.1
WMPVCB center mounting kits	3	N/A	
WMPH2E horizontal managers	20	N/A	
CPP48WBL 48 port modular patch panels	20	N/A	
<b>Total (not including jack modules)</b>	<b>52</b>	<b>107.3</b>	<b>2725.9</b>

High Density Layout	Qty.	Width	
		In.	mm
CMR19X84 standard EIA channel racks	2	20.31	515.8
PRV12 vertical managers	1	12	304.8
PRV8 vertical managers	2	8	203.2
PRD12 hinged doors	1	N/A	
PRD8 hinged doors	2	N/A	
CPPLA48WBL 48 port angled modular patch panels	20	N/A	
<b>Total (not including jack modules)</b>	<b>28</b>	<b>68.6</b>	<b>1742.4</b>

#### Standard Footprint\*



#### High Density Footprint\*



### Reduce Square Footage and Real Estate Costs Up to 23%

	Standard	High Density	Benefits
<b>Number of parts</b>	52	28	<b>Reduce installation time with 46% fewer system components to manage</b>
<b>Layout width</b>	107.3" (2725.9mm)	68.6" (1742.4mm)	<b>36% narrower profile is ideal for space constrained applications</b>
<b>Square footage</b>	11.2 ft <sup>2</sup> (1.04M <sup>2</sup> )	8.6 ft <sup>2</sup> (0.80M <sup>2</sup> )	<b>Smaller footprint saves 23% floor space</b>
<b>Real estate cost**</b>	\$4,480	\$3,440	<b>Resulting space savings reduces real estate costs 23%</b>

\*Representative application, actual configurations may vary.

\*\*Based on \$400/ft<sup>2</sup> annually.