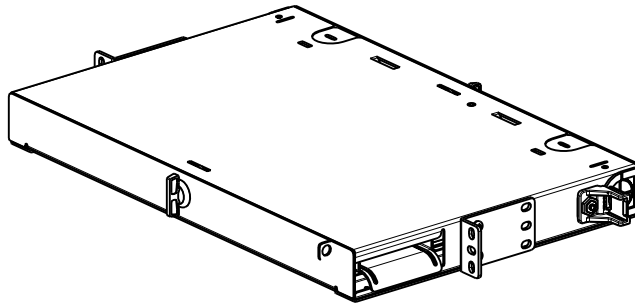


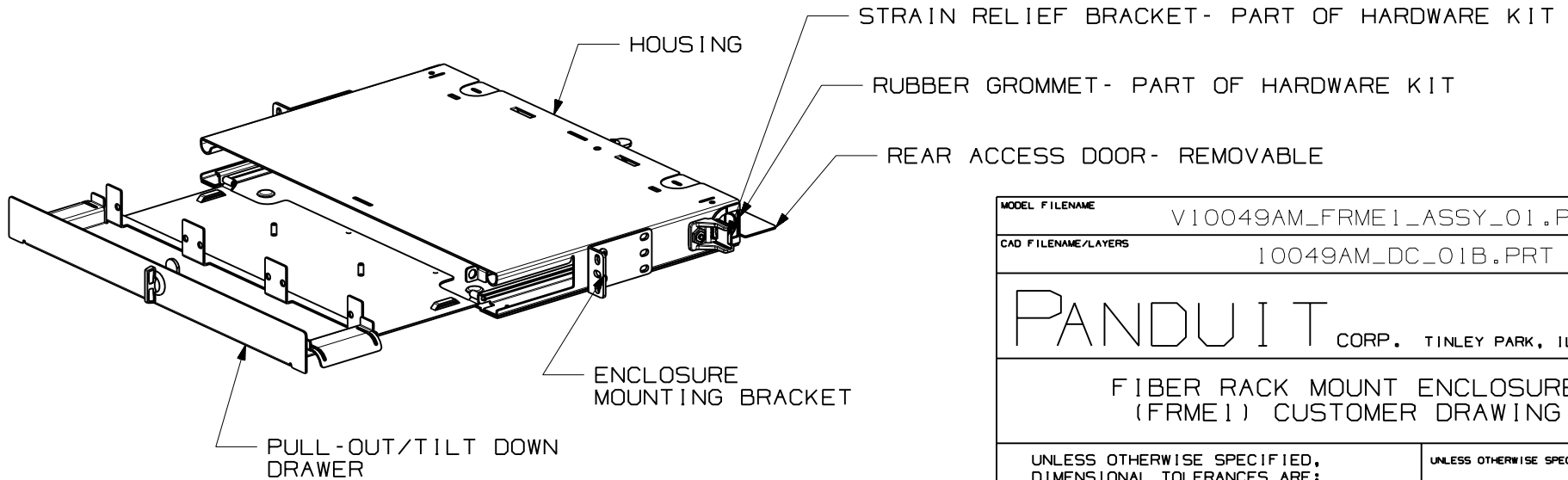
THIS COPY IS PROVIDED ON A RESTRICTED BASIS AND IS NOT TO BE USED IN ANY WAY DETRIMENTAL TO THE INTERESTS OF PANDUIT CORP.

NOTES:

1. SEE CATALOG FOR COMPLETE LIST OF PARTS APPLICABLE FOR USE WITH THIS PART.
2. DIMENSIONS IN PARENTHESES ARE IN METRIC.
3. ENCLOSURE CAN BE MOUNTED ON A 19" OR 23" STANDARD EIA RACK.
4. COMPLETE ENCLOSURE IS MADE FROM 16 GAUGE GALVANNEALED COLD ROLLED STEEL.
5. ENCLOSURE IS PAINTED BLACK
6. ENCLOSURE IS SUPPLIED WITH (1) HARDWARE KIT AND PORT I.D. LABEL.
7. PART CAN HOLD UP TO 3 FAPS.



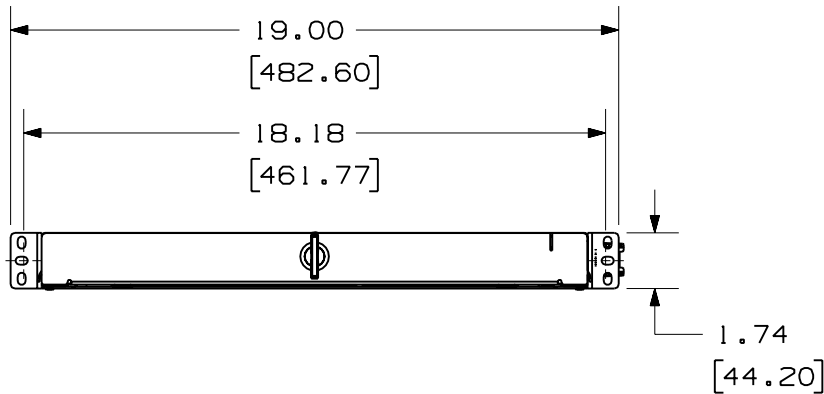
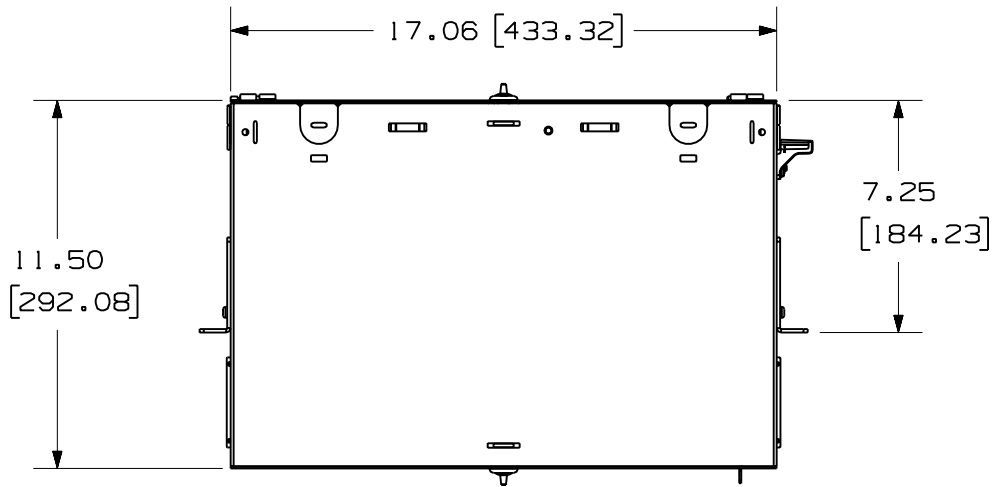
PANDUIT P/N	WEIGHT
FRME1	13.4 LB/EA 6078.1 G/EA



MODEL FILENAME V10049AM_FRME1_ASSY_01.PRT	
CAD FILENAME/LAYERS 10049AM_DC_01B.PRT	
<h1>PANDUIT</h1> CORP. TINLEY PARK, ILLINOIS	
FIBER RACK MOUNT ENCLOSURE (FRME1) CUSTOMER DRAWING	
UNLESS OTHERWISE SPECIFIED, DIMENSIONAL TOLERANCES ARE: (.X) ± (.XXX) ± (.XX) ±.03 (.8) ANGLES ±	UNLESS OTHERWISE SPECIFIED, ALL DIMENSIONS ARE GIVEN IN INCHES, THIRD ANGLE PROJECTION.

1	3-12-02	JDWE		SEE SHEET 2 OF 2 FOR REVISIONS	10049-49					DRAWN BY JDWE	MAT'L:	SCALE 1/6
R	2-8-02	JDWE	AFW	SEE SHEET 2 OF 2 FOR REVISIONS	10049-49	JW1				DATE 2-8-02	SEE NOTES	DRAWING NO. 10049-49
REV	DATE	BY	CHK	DESCRIPTION	ECN - R	CUST	SUP	OTH	CHK'D AFW	SHEET 1 OF 2		DWG A SIZE

THIS COPY IS PROVIDED ON A RESTRICTED BASIS AND IS NOT TO BE USED IN ANY WAY DETRIMENTAL TO THE INTERESTS OF PANDUIT CORP.



MODEL FILENAME V10049AM_FRME1_ASSY_01.PRT

CAD FILENAME/LAYERS V10049AM_DC_01B.PRT

PANDUIT CORP. TINLEY PARK, ILLINOIS

FIBER RACK MOUNT ENCLOSURE (FRME1) CUSTOMER DRAWING

UNLESS OTHERWISE SPECIFIED, DIMENSIONAL TOLERANCES ARE:
(.X) ± (.XXX) ±
(.XX) ±.03 (.8) ANGLES ±

UNLESS OTHERWISE SPECIFIED, ALL DIMENSIONS ARE GIVEN IN INCHES, THIRD ANGLE PROJECTION.

REV	DATE	BY	CHK	DESCRIPTION	ECN	R	CUST	SUP	OTH
I	3-12-02	JDWE		A. CHANGED SHEET NUMBERS.	10049-49				
R	2-8-02	JDWE	AFW	RELEASED TO PRODUCTION	10049-49	JWI			

DRAWN BY JDWE
DATE 2-8-02
CHK'D AFW

MAT'L: SEE NOTES

SCALE 1:6
DRAWING NO. 10049-49 ^A
SHEET 2 OF 2
DWG SIZE A